

TECH TECH CONTROLLERS

USER MANUAL EU-88 zPID

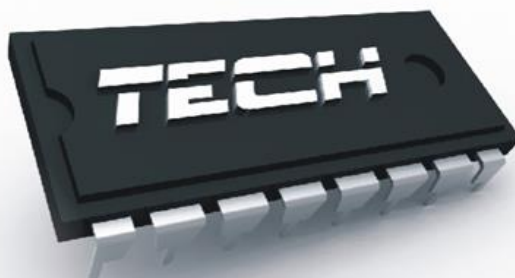
EN



CAUTION!



**THE DEVICE MAY BE DAMAGED
IF STRUCK BY A LIGHTNING.
MAKE SURE IT IS UNPLUGGED
DURING STORMS**

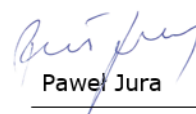


EU DECLARATION OF CONFORMITY

Hereby, we declare under our sole responsibility that **EU-88 zPID** manufactured by TECH STEROWNIKI, head-quartered in Wieprz Biała Droga 31, 34-122 Wieprz, is compliant with Directive **2014/35/EU** of the European Parliament and of the Council of 26 February 2014 on the harmonisation of the laws of Member States relating to **the making available on the market of electrical equipment designed for use within certain voltage limits** (EU OJ L 96, of 29.03.2014, p. 357), **Directive 2014/30/EU** of the European Parliament and of the Council of 26 February 2014 on the harmonisation of the laws of Member States relating to **electromagnetic compatibility** (EU OJ L 96 of 29.03.2014, p.79), Directive **2009/125/EC** establishing a framework for the setting of ecodesign requirements for energy-related products as well as the regulation by the MINISTRY OF ENTREPRENEURSHIP AND TECHNOLOGY of 24 June 2019 amending the regulation concerning the essential requirements as regards the restriction of the use of certain hazardous substances in electrical and electronic equipment, implementing provisions of Directive (EU) 2017/2102 of the European Parliament and of the Council of 15 November 2017 amending Directive 2011/65/EU on the restriction of the use of certain hazardous substances in electrical and electronic equipment (OJ L 305, 21.11.2017, p. 8).

For compliance assessment, harmonized standards were used:

PN-EN IEC 60730-2-9:2019-06, PN-EN 60730-1:2016-10.


Paweł Jura


Janusz Master

Prezesa firmy

Wieprz, 08.07.2022

ATTENTION!

HIGH VOLTAGE!

Make sure the regulator is disconnected from the mains before working on the power supply (cable connections, device installation, etc.)!

All connection works must only be carried out by qualified electricians.

Before activating the controller, measure the motor resetting efficiency, check the boiler and inspect wire insulation.



We are committed to protecting the environment. Manufacturing electronic devices imposes an obligation of providing for environmentally safe disposal of used electronic components and devices. Hence, we have been entered into a register kept by the Inspection For Environmental Protection. The crossed-out bin symbol on a product means that the product may not be disposed of to household waste containers. Recycling of wastes helps to protect the environment. The user is obliged to transfer their used equipment to a collection point where all electric and electronic components will be recycled.

I. Description

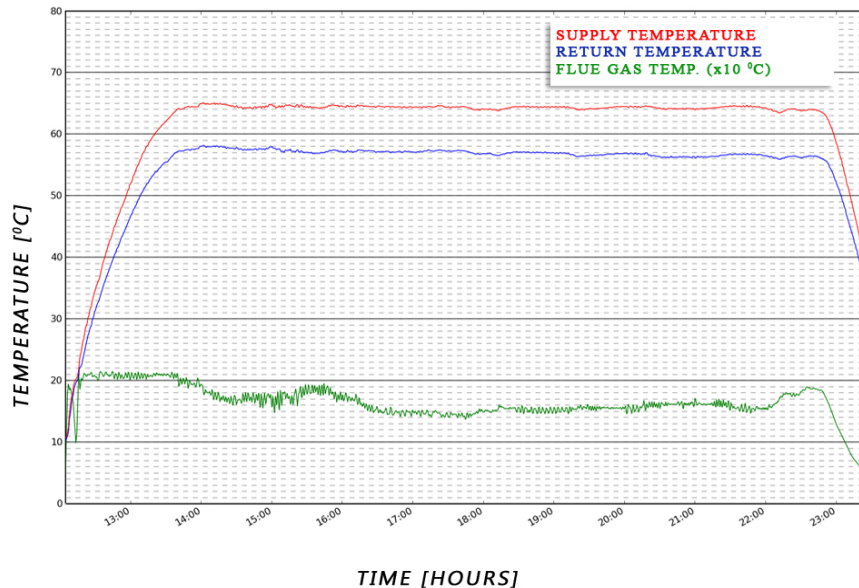


The **ST-88zPID** temperature regulator is intended for use with central heating boilers. The regulator is used for controlling the central heating water circulation pump, hot consumption water pump and blow (fan).

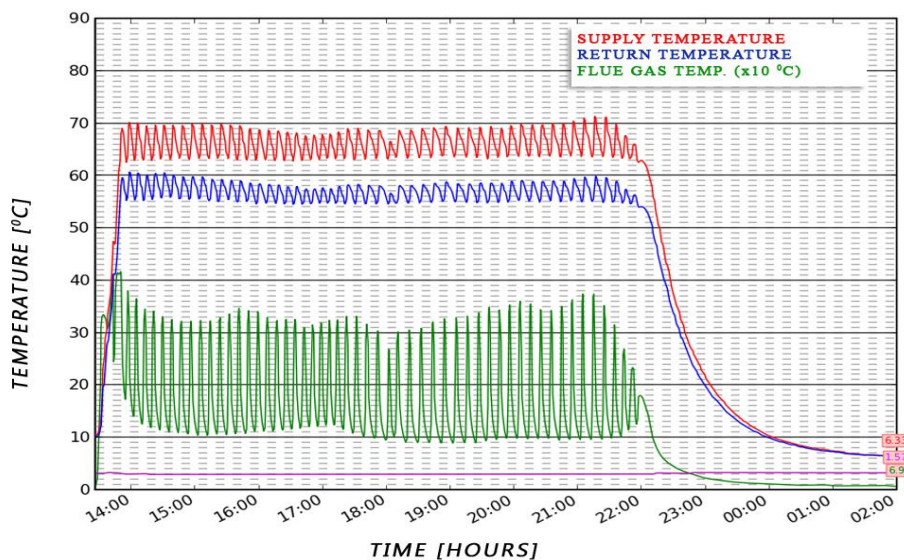
The EU-88zPID is a PID-based controller **using a continuous signal**. In this type of controllers, the fan power is calculated based on boiler temperature and flue gas temperature measured at the boiler outlet. The fan runs continuously and its power depends directly on the measured boiler temperature and flue gas temperature as well as the difference between the two parameters and their setpoint values. Advantages of zPID regulators include their ability to maintain a stable setpoint temperature without unnecessary overregulations and oscillations.

By fitting the controller with a flue gas outlet sensor, you can save from a few up to several percent of fuel, and ensure a steady water temperature for a longer service life of your heat exchanger (boiler). Flue gas outlet temperature monitoring ensures reduced harmful dust and gas emissions. The thermal energy from the flue gases is used for heating instead of being wasted and disposed of through the funnel.

Research results presented below were obtained using the **Tech PID-based controller:**



and the controller without PID control:



You can change all parameters with ***an encoder knob***. Turning the knob allows you to select a function or modify its value, while pressing the knob allows you to enter the function or confirm changed values. To leave any function, turn the knob until you reach the <<EXIT position and confirm your selection by pressing the knob.

1.a) Basic Terms

Fire up. The cycle begins when you activate the *fire up* function in the controller's menu and is active until the central heating boiler temperature reaches 40°C (the default *fire-up threshold*), on condition that the temperature does not drop below this value for 2 minutes (the default *fire-up time*). If these conditions are met, the regulator will switch

to the *duty* mode and the *manual operation symbol* on the housing will be deactivated. If the controller fails to reach parameters required for entering into the *duty* mode within 30 minutes from activation of the *fire-up* function, the "Unable to fire up" message will appear on the display. In such a case, the fire-up cycle needs to be restarted.

Duty – once the *fire-up* cycle is finished, the controller enters the *duty cycle*. The duty cycle is the basic functionality of the regulator. The blow is controlled automatically using the zPID algorithm and the temperature is close to its setpoint value. In the user menu, *fan* item will appear in place of the *fire-up* function. The fan can be deactivated when needed (e.g. while feeding fuel). If the temperature rises unexpectedly by more than 5°C over the setpoint value, the so-called *Supervision Mode* is activated.

Supervision Mode – the mode is activated during the *Duty Cycle* if the temperature rises by more than 5°C over the setpoint value. In such case, the controller is switched from the PID control to manual settings (according to parameters entered in the Fitter's Menu) to reduce the temperature of the circulation water.

Damping – if boiler temperature drops by 2°C below the *fire-up threshold* and fails to rise above this value for 30 minutes (default *damping time*), the regulator will switch to the *damping mode*. While in this mode, the fan is deactivated and the display shows "Damping".

In case of voltage loss, the regulator ceases to operate. When power is restored, the controller returns to operation with previously set parameters using its built-in memory. Lack of voltage does not cause the stored parameters to be lost.

II. Regulator Functionality

This chapter describes regulator functionality, how to change settings and navigate in the menu with the **encoder** (knob). Depending on the mode the boiler is currently in, the display will show boiler operational parameters. The given mode is selected by the user.

.1. Main Page

42 °C		55 °C
C.H.	Setpoint	D

During normal operation, the **LCD** display shows the *Main Page* containing the following:

- **Boiler temperature** (to the left of the display).
- **Setpoint temperature** (to the right of the display).
- **Fan stop**. After manually stopping the fan while in the *duty mode*, the star symbol (*) will appear in the top right corner.
- **Operation Mode**. In the bottom right corner, the corresponding letter of the operation mode is displayed. Depending on the operation mode, the corresponding

symbol is displayed:

D – house heating,
R – parallel pumps,

B – water heater priority,
L – summer mode.

Pressing the encoder will move you to the main menu. The display shows two options of the menu. To select a different option, turn the encoder knob.

.2. Changing the central heating and hot consumption water setpoint temperature.

In order to change the setpoint temperature of the central heating (while in "C.H. screen" main view), turn the encoder knob and (after setting a desired value) press it to confirm the change.

In order to change the setpoint temperature of the hot consumption water (while in "H.C.W. screen" main view), turn the encoder knob and (after setting a desired value) press it to confirm the change.

Chapter "Screen" describes methods of changing the main screen view.

.3. Firing up

This function allows you to easily fire up the boiler. After igniting the boiler, you need to activate an automatic fire-up cycle. By selecting optimum parameters, the boiler uses the zPID function to smoothly switch to the duty mode. If the boiler reaches the *fire-up threshold* temperature, the *fan* item will appear instead of the *fire-up* function. From now on, the option will be used to activate/deactivate the fan. This setting allows you to temporarily deactivate the fan at any time, e.g. while feeding fuel. If during the fire-up cycle the boiler does not reach 40°C **within 30 minutes**, (default parameters), the following warning message will appear on the display:

38 °C		55 °C
unable to fire up		

To restore the boiler to operation, switch off **the alarm** by pressing the **encoder** and restarting the **fire-up** procedure.

.4. Manual Mode

42 °C		55 °C
C.H.	Setpoint	D

For your convenience, the regulator features a **manual mode module**. In this mode, each individual actuator is enabled and disabled independently of the other. In addition to the **Manual Mode** function, the **Blow Force** function has been provided.

Blow Force
Fan

20%
Blow Force

This function allows you to set the blow force of the fan while in the **Manual Mode**. Pressing the **ENCODER** activates the fan. The fan will operate until the **ENCODER** is pressed again.

Blow Force
Fan

Press the **ENCODER** to enable / disable the central heating pump.

Fan
C.H. Pump

Press the **ENCODER** to enable / disable the (water heater) hot consumption water pump.

C.H. Pump
H.C.W. Pump

Press the **ENCODER** to enable / disable the alarm.

H.C.W. Pump
Alarm

.5. Fuel Type

42 °c | 55 °c
C.H. Setpoint D

Manual Mode
Fuel Type

Coal
Fines

This option allows you to select one of three fuel types (coal, fines and wood) for use in the boiler. Each fuel type has a fan operation mode assigned to ensure the right burning process.

.6. Central Heating Pump Activation

42 °c | 55 °c
C.H. Setpoint D

Fuel Type
C.H. Pump Activation

35°c
C.H. Pump

With this function, you can set the temperature that will activate the central heating pump (the temperature is measured on the boiler). The pump will start if the setpoint temperature is exceeded. The pump will be deactivated when the boiler temperature

drops below the activation temperature (minus hysteresis, e.g. 2°C). In this case, the pump will stop at boiler temperature of 33°C.

.7. H.C.W. Pump Activation

42 °c		55 °c	C.H. Pump Activation	40°C
C.H.	Setpoint	D	H.C.W. Pump Activation	

With this function, you can set the temperature that will activate the hot consumption water pump (the temperature is measured on the boiler). Above the setpoint temperature (e.g. 40°C), the pump is activated and operates depending on the selected operation mode. The pump will be deactivated when the boiler temperature drops below the activation temperature (minus hysteresis, e.g. 3°C). In this case, the pump will stop at boiler temperature of 37°C.

.8. Operation Mode

With this function, you can select one out of four operation modes.

42 °c		55 °c	H.C.W. Pump Activation
C.H.	Setpoint	D	

.8.a) House Heating

House Heating *
H.C.W. Priority

If you select this option, the regulator will switch to the house heating mode. The central heating pump starts to run above the pump activation temperature (set to 35°C by default). Below this temperature (minus central heating hysteresis), the pump is shut off. While in the *house heating* mode, the letter D is displayed in the bottom right corner of the main screen.

.8.b) H.C.W. Priority

House Heating
H.C.W. Priority *

Activating the hot consumption water priority will cause the regulator to switch into the water heater priority mode. In this mode, the (hot consumption water) heater pump is activated until the set H.C.W. temperature is reached. Then, the H.C.W. pump is shut off and the C.H. pump is activated. The central heating pump will run until the water heater temperature drops below the setpoint value (and the H.C.W. hysteresis); then, the C.H. pump is shut off and the H.C.W. pump is activated.

In this mode, the fan is operated as long as the temperature is below 62°C to prevent the boiler from overheating.

The hot consumption water priority function consists in that the consumption water is

heated up before heating up water in radiators.

While in the *H.C.W. Priority* mode, the letter B is displayed in the bottom right corner of the main screen.

.8.c) Parallel Pumps

H.C.W. Priority Parallel Pumps *
--

42 °c		55 °c
C.H.	Setpoint	R

In this mode, the pumps start to run in parallel above the pump activation temperature (set by default to 35°C). These temperatures may, however, vary depending on user settings. This will cause irregular activation of the pumps. However, when both thresholds are exceeded, the pumps will operate simultaneously. The central heating pump runs continuously, while the hot consumption water pump stops after the setpoint temperature is reached in the water heater.

While in the *Parallel Pumps* mode, the letter R is displayed in the bottom right corner of the main screen.

ATTENTION: In this mode, a non-return valve should be fitted to maintain different temperatures in the water heater and in the house. After activation of the parallel pumps function, three items appear on the display. Starting from the left, these are: Boiler Temperature (C.H.); Water Heater Temperature (H.C.W.) and Setpoint Temperature (C.H.).

.8.d) Summer Mode

Parallel Pumps Summer Mode *
--

45 °c	43 °c	55 °c
C.H.	H.C.W.	Set L

When the function is enabled, only the hot consumption water pump is running in order to heat water in the water heater. The pump is switched on above a predefined activation threshold (see the *pump activation temperature* function) and will run until the setpoint temperature has been reached. The pump will start again when the temperature drops below the set hysteresis. In the Summer Mode, only the setpoint temperature is set on the boiler that heats up water for the water heater (the temperature set for the boiler is also the temperature set for the water heater).

While in the *Summer Mode*, the letter L is displayed in the bottom right corner of the main screen.

.9. Main Screen

OPERATION MODE

This function allows you to change the view of the main screen. The following views are available:

- *C.H. SCREEN*

• **C.H. SCREEN**

44 °c | 55 °c *
C.H. Setpoint R

This screen displays the current and setpoint C.H. temperatures. By turning the knob, you can change the setpoint temperature. After setting the appropriate value, confirm it by pressing the encoder knob.

➤ *H.C.W. SCREEN*

C.H. SCREEN

43 °c | 50 °c
H.C.W. Setpoint R

This screen displays the current and setpoint H.C.W. temperatures. By turning the knob, you can change the setpoint H.C.W. temperature. After setting the appropriate value, confirm it by pressing the encoder knob.

➤ *FLUE GASES SCREEN*

H.C.W. SCREEN

45 °c 93 °c 80% *
C.H. FLUE FAN L

The following items are displayed, starting from the left: current C.H. temperature, current flue gases temperature and blow power in percentages. This view is used for monitoring current boiler parameters.

.10. Language

With this function, you can select the language of your controller.

.11. Factory Settings

23 °c | 55 °c
C.H. Setpoint

Fixed C.H. Pump
Factory Settings

Yes
No

The regulator has been pre-configured. However, it should be adjusted to your individual needs. It is possible to return to the factory settings at any time. By enabling the **Factory Settings**, all existing boiler settings will be replaced by settings made by the manufacturer. From then on, you can again set your own operating parameters for the boiler.

.12. Fitting parameters

Access to fitting parameters is disabled for the user. This special view contains advanced parameters accessible only by the manufacturer.

III. Protections

In order to ensure a safe and faultless operation, the regulator has been provided with

numerous protections. In the case of an alarm, an acoustic warning is sounded and the display shows a corresponding message.

Press the encoder to restore the controller to operation. In the case of the **C.H. Temperature Too High** alarm, wait until the temperature drops below the alarm value.

.13. Thermal protection

The boiler is protected with an additional bimetal sensor (located at the boiler temperature sensor) that disables the fan when the temperature exceeds the critical value: 85°C. This is to prevent water from boiling in the system when the boiler has been overheated or the controller is damaged. When the protective function is enabled and the temperature drops to a safe value, the sensor will automatically restart the device and the alarm will be deactivated. If the sensor is damaged or overheated, the burner, fan and feeder are disabled.

.14. Automatic Sensor Check

When the temperature sensor of the central heating or hot consumption water is damaged, an alarm is sounded with an additional indication shown in the display, e.g.: „**C.H. Sensor Damaged**“.

<p style="text-align: center;">Alarm C.H. Sensor Damaged</p>
--

Blow is disabled and both pumps are activated simultaneously, regardless of the temperature.

*If the central heating sensor is damaged, the alarm will remain active until the sensor is replaced. If the hot consumption water sensor is damaged, press **MENU to** deactivate the alarm and restore the single (house heating) pump mode. To be able to operate the boiler in all modes, it is necessary to replace the sensor.*

.15. Temperature Protection

The regulator features an additional protection in case the bimetal sensor is damaged. After the temperature exceeds 85°C, the alarm is sounded with the display showing the following message:

<p style="text-align: center;">Alarm Temperature Too High</p>

The current temperature is read from an electronic sensor and processed by the thermoregulator. When the alarm temperature is exceeded, the fan is shut off and both pumps begin to run in order to distribute hot consumption water throughout the system.

.16. Anti-Boil Protection

This protective function is used only with the **water heater priority** mode. For example, when the water heater setpoint temperature is 55°C and the boiler temperature rises to 67°C (5°C over the so-called *priority temperature*), the controller

shuts off the fan. If the boiler temperature reaches 80°C, the C.H. pump will be activated. If the temperature continues to rise, the alarm will be activated at 85°C. Such condition may appear when the water heater or the pump is damaged or when the sensor has been improperly installed. However, if the temperature drops, the controller will activate the fan at 66°C and it will remain in the duty mode maintaining the priority temperature of 62°C.

.17. Monitoring the flue gas outlet temperature

23 °C	98 °C	50%
C.H.	Flue	Fan D

This sensor constantly monitors the flue gas outlet temperature. If the sensor is damaged, disconnected from the controller or removed from the flue conduit, **Flue Gas Sensor Damaged** message will appear on the display. This will cause the controller to switch to the emergency mode. In such case, only boiler temperature is used. The controller is operated using only the boiler sensor and the zPID function remains active without the flue gas outlet sensor.

.18. Fuse

The regulator has a network protection WT 3.15 A tube fuse. Higher current ratings may cause damage to the controller.

IV. Maintenance

Before and during the heating season, the **EU-88zPID** controller should be checked for condition of its cables. You should also check if the controller is properly mounted and clean it if dusty or dirty. It is advisable to measure grounding parameters for the motors (central heating pump, hot consumption water pump and fan).

EU-88zPID Technical Specifications

Power supply	230V ±10% /50Hz
Maximum power consumption	5W
Ambient working temperature	5÷50°C
Pump max. output load	0,5A
Fan max. output load	0,6A
Temperature measurement accuracy	1°C
Sensor thermal resistance	-30÷99°C
Flue gas sensor thermal resistance	-30÷480°C
Fuse	3,15A

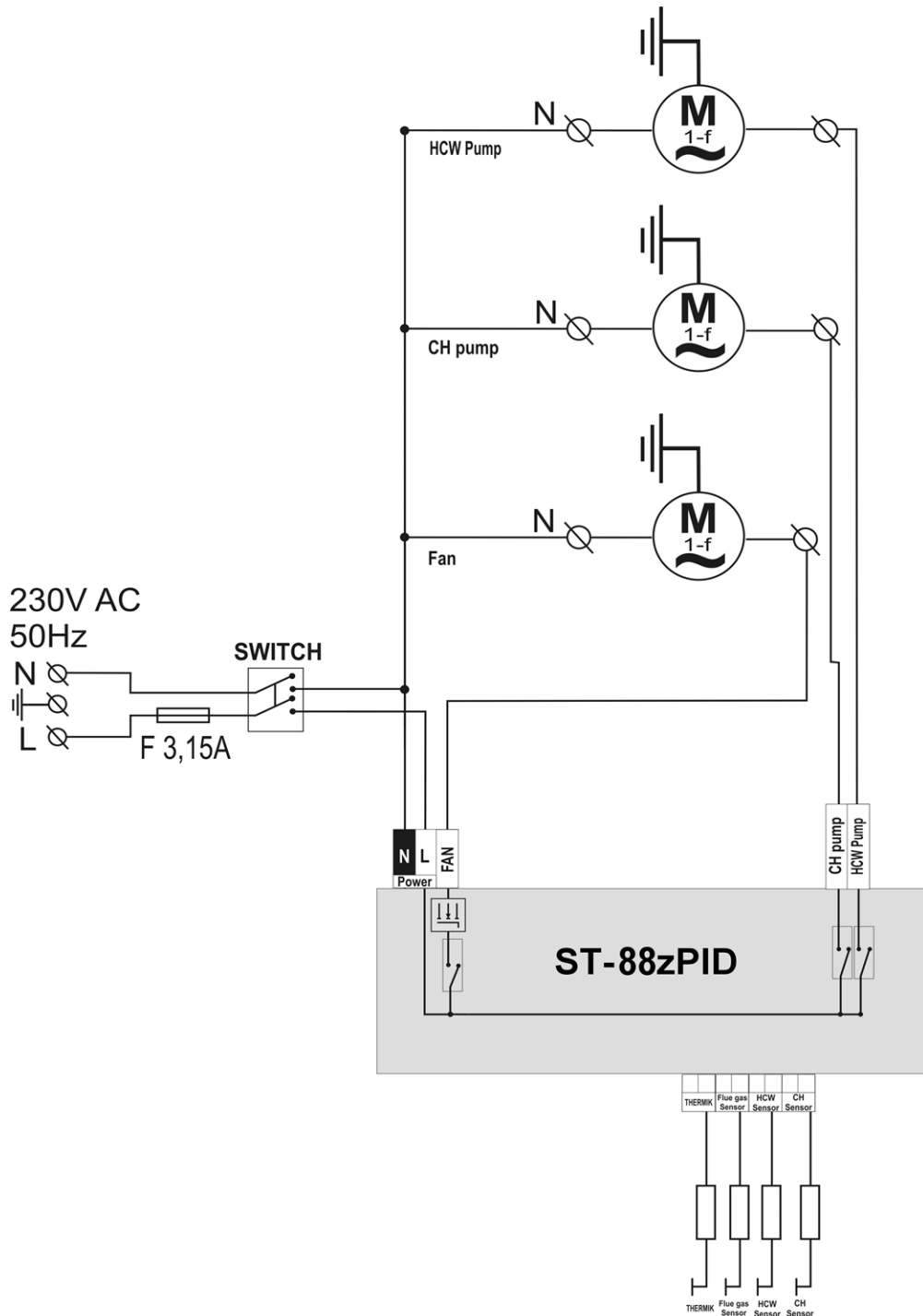
V. Assembly

ATTENTION: all assembly works must only be carried out by qualified persons. During assembly, the device **must be** disconnected (make sure the power cord is unplugged)!
ATTENTION: improper cable connections may damage the regulator!

The regulator may not be operated in a closed-circuit central heating system. It is necessary to provide for safety valves, pressure valves and a surge tank in order to prevent water from boiling in the central heating system.

.19. Cable Connection Diagram for Controller

Pay special attention to cable connections during assembly. Especially, the ground wire should be connected properly.



**TECH
TECH
CONTROLLERS**

Central headquarters:

ul. Biała Droga 31, 34-122 Wieprz

Service:

ul. Skotnica 120, 32-652 Bulowice

phone: **+48 33 875 93 80**

e-mail: **serwis@techsterowniki.pl**

www.tech-controllers.com