

e-mail: serwis@techsterowniki.pl

phone: +48 33 875 93 80

ul. Skotnica 120, 32-652 Bulowice
Service:

ul. Biała Droga 31, 34-122 Wieprz
Central headquarters:

EN

EU-R-8X
USER'S MANUAL

TECH
CONTROLLERS

TECH
CONTROLLERS

WARRANTY CARD

TECH STEROWNIKI II Sp. z o.o. company ensures to the Buyer proper operation of the device for the period of 24 months from the date of sale. The Guarantor undertakes to repair the device free of charge if the defects occurred through the manufacturer's fault. The device should be delivered to its manufacturer. Principles of conduct in the case of a complaint are determined by the Act on specific terms and conditions of consumer sale and amendments of the Civil Code (Journal of Laws of 5 September 2002).

CAUTION! THE TEMPERATURE SENSOR CANNOT BE IMMERSSED IN ANY LIQUID (OIL ETC). THIS MAY RESULT IN DAMAGING THE CONTROLLER AND LOSS OF WARRANTY! THE ACCEPTABLE RELATIVE HUMIDITY OF THE CONTROLLER'S ENVIRONMENT IS 5÷85% REL.H. WITHOUT THE STEAM CONDENSATION EFFECT.

THE DEVICE IS NOT INTENDED TO BE OPERATED BY CHILDREN.

Activities related to setting and regulation of the controller parameters described in the Instruction Manual and parts wearing out during normal operation, such as fuses, are not covered by warranty repairs. The warranty does not cover damages arising as a result of improper operation or through the user's fault, mechanical damage or damage created as a result of fire, flood, atmospheric discharges, overvoltage or short-circuit. The interference of an unauthorized service, wilful repairs, modifications and construction changes cause the loss of Warranty. TECH controllers have protective seals. Removing a seal results in the loss of Warranty.

The costs of unjustifiable service call to a defect will be borne exclusively by the buyer. The unjustifiable service call is defined as a call to remove damages not resulting from the Guarantor's fault as well as a call considered unjustifiable by the service after diagnosing the device (e.g. damage of the equipment through the fault of the client or not subject to Warranty), or if the device defect occurred for reasons lying beyond the device.

In order to execute the rights arising from this Warranty, the user is obliged, at his own cost and risk, deliver the device to the Guarantor along with a correctly filled-in warranty card (containing in particular the sale date, the seller's signature and a description of the defect) and sales proof (receipt, VAT invoice, etc.). The Warranty Card is the only basis for repair free of charge. The complaint repair time is 14 days. When the Warranty Card is lost or damaged, the manufacturer does not issue a duplicate.

.....
seller's stamp

.....
date of sale

SAFETY

Before using the device for the first time the user should read the following regulations carefully. Not obeying the rules included in this manual may lead to personal injuries or controller damage. The user's manual should be stored in a safe place for further reference. In order to avoid accidents and errors it should be ensured that every person using the device has familiarized themselves with the principle of operation as well as security functions of the controller. If the device is to be sold or put in a different place, make sure that the user's manual is there with the device so that any potential user has access to essential information about the device. The manufacturer does not accept responsibility for any injuries or damage resulting from negligence; therefore, users are obliged to take the necessary safety measures listed in this manual to protect their lives and property.

WARNING

- The regulator is not intended to be used by children.
- Any use other than specified by the manufacturer is forbidden.
- The device should be installed by a qualified person.

TECHNICAL DATA

Power supply	batteries 2xAA 1,5V
Temperature adjustment range	5÷35°C
Humidity measurement range	10-95%RH
Operation frequency	868MHz
Measurement error	± 0,5°C



We are committed to protecting the environment. Manufacturing electronic devices imposes an obligation of providing for environmentally safe disposal of used electronic components and devices. Hence, we have been entered into a register kept by the Inspection For Environmental Protection. The crossed-out bin symbol on a product means that the product may not be disposed of to household waste containers. Recycling of wastes helps to protect the environment. The user is obliged to transfer their used equipment to a collection point where all electric and electronic components.

EU DECLARATION OF CONFORMITY

Hereby, we declare under our sole responsibility that **EU-R-8X** manufactured by TECH STEROWNIKI II Sp. z o.o., head-quartered in Wieprz Biała Droga 31, 34-122 Wieprz, is compliant with Directive 2014/53/EU of the European parliament and of the Council of 16 April 2014 on the harmonisation of the laws of the Member States relating to the making available on the market of radio equipment, Directive 2009/125/EC establishing a framework for the setting of ecodesign requirements for energy-related products as well as the regulation by the MINISTRY OF ENTREPRENEURSHIP AND TECHNOLOGY of 24 June 2019 amending the regulation concerning the essential requirements as regards the restriction of the use of certain hazardous substances in electrical and electronic equipment, implementing provisions of Directive (EU) 2017/2102 of the European Parliament and of the Council of 15 November 2017 amending Directive 2011/65/EU on the restriction of the use of certain hazardous substances in electrical and electronic equipment (OJ L 305, 21.11.2017, p. 8).

For compliance assessment, harmonized standards were used:

PN-EN IEC 60730-2-9 :2019-06 art. 3.1a Safety of use

PN-EN 62479:2011 art. 3.1 a Safety of use

ETSI EN 301 489-1 V2.2.3 (2019-11) art.3.1b Electromagnetic compatibility

ETSI EN 301 489-3 V2.1.1:2019-03 art.3.1 b Electromagnetic compatibility

ETSI EN 300 220-2 V3.2.1 (2018-06) art.3.2 Effective and coherent use of radio spectrum

ETSI EN 300 220-1 V3.1.1 (2017-02) art.3.2 Effective and coherent use of radio spectrum

EN IEC 63000:2018 RoHS

Pawel Jura *Janusz Master*
Pawel Jura Janusz Master

Prezesi firmy

Wieprz, 05.09.2023

DESCRIPTION

The EU-R-8X room regulator is intended for controlling the heating device. It cooperates with the zone controllers and communicates with them wirelessly.

Its main task is to maintain the pre-set room temperature by sending a signal to the heating device informing that the pre-set temperature has been reached.

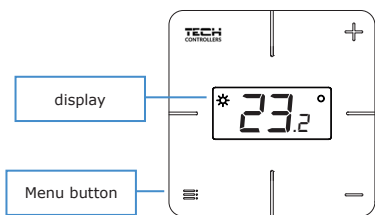
Current temperature is displayed on the screen. The Menu button enables the user to change the displayed parameter from current temperature to current humidity.

The regulator enables the user to change the pre-set zone temperature permanently or for a period of time.

Controller equipment:

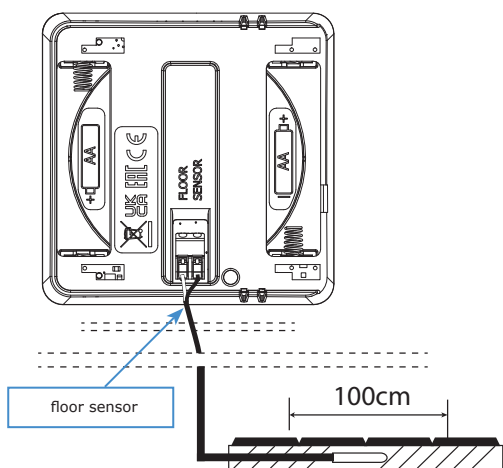
- built-in temperature sensor
- air humidity sensor
- floor sensor (optional)

1 HOW TO USE THE REGULATOR



Display	Icon ☀
current temperature, humidity,	appears when the pre-set temperature has not been reached and the given zone needs heating
Menu button	Buttons +/-
<ul style="list-style-type: none"> - press - change the view from room temperature to humidity level/confirmation of settings - hold - enter the menu 	<ul style="list-style-type: none"> - change of the pre-set temperature, switching between menu options - unlocking the buttons (hold the buttons +/- simultaneously)

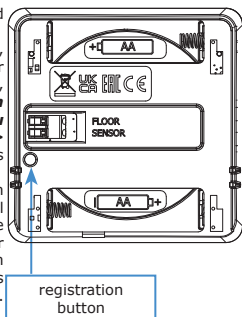
3



5 REGULATOR REGISTRATION

The room controller must be registered in a specific zone.

To do this, in the main controller menu, select the option to register the sensor in the submenu of the specific zone, e.g. **Menu > Zones > Zone... > Room Sensor** or **Menu > Fitter's Menu > Zones > Zone... > Room sensor > Sensor selection > Wireless** and press the registration button on the controller. If the registration process has been completed successfully, the external controller screen will display a message to confirm whereas the room sensor screen will display **Scs**. If the room sensor displays **Err**, an error has occurred during the registration process.



NOTE

- Only one room regulator may be assigned to each zone.
- The controller can act as a floor sensor. To do this, connect the NTC sensor to the controller, and in the main controller, select **Floor heating > Floor sensor** in the respective zone and register by double clicking the registration button.
- If the registration process has been completed successfully, the external controller screen will display a message to confirm whereas the room sensor screen will display **Scs**. If the room sensor displays **Err**, an error has occurred during the registration process.

7 PRE-SET TEMPERATURE

The pre-set zone temperature may be adjusted directly from the EU-R-8X room regulator using the buttons +/-.

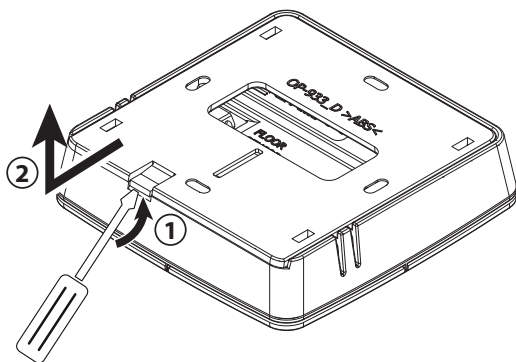
During inactivity, the current zone temperature is displayed on the controller screen. Use the buttons +/- to change the set value. When the pre-set temperature has been defined, the setting screen will appear.

Time settings can be changed using the buttons +/-:

- **for a specific number of hours** - click the button +/- until the desired number of hours is displayed, e.g. 1h (the pre-set temperature will apply for 1 hour, and then the previous setting will apply: schedule or constant temperature Con). In order to confirm, press the Menu button.
- **permanently** - press the button + until **Con** is displayed (the pre-set temperature will be valid for an indefinite period of time, regardless of the schedule settings). In order to confirm, press the Menu button.
- if you want the pre-set temperature resulting from the weekly schedule settings to apply, press the button - until **OFF** appears on the screen. In order to confirm, press the Menu button.

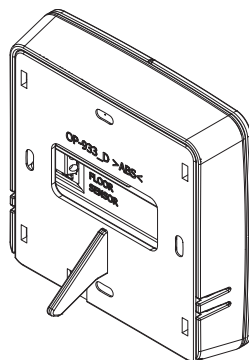
2 INSTALLATION

In order to replace batteries or connect the floor sensor, remove the back cover of the regulator.



4

The regulator can be hung on the wall or placed anywhere thanks to a special stand.



6

- **Hold** the registration button to display the current software version.
- If the **Una** message appears (despite correct device registration), wait for about 4 minutes or force communication again by holding the registration button for about 2 seconds until the program version is displayed.

Remember the following rules:

- A registered regulator can be deleted or disabled using the external controller (by deselecting ON in the sub-menu of a given zone).
- If the user attempts to assign a regulator to the zone to which other regulator has already been assigned, the first regulator becomes unregistered and it is replaced by the other one.
- If the user attempts to assign a sensor which has already been assigned to a different zone, the sensor is unregistered from the first zone and registered in the new one.

It is possible to set individual pre-set temperature value and weekly schedule for each room regulator assigned to a given zone. The settings may be configured both in the external controller menu and via www.emodul.eu (use the module). The pre-set temperature may also be adjusted directly from the room sensor using the buttons +/-.

8 MENU FUNCTIONS

In order to enter the menu, **hold** the Menu button. Use the buttons +/- to switch between menu options. Confirm by pressing the Menu button.

- 1. BAT** - the function allows the user to view the battery status (%). After selecting the Bat function, press the Menu button.
- 2. CAL** - this function allows the user to view the sensor calibration. After selecting the Cal function, press the Menu button.
- 3. LOC** - the function enables the automatic button lock. After selecting the Loc function, press the Menu button. Then a question is displayed whether to enable the lock (yes / no). Select by pressing one of the buttons +/- . Confirm by pressing the Menu button. To **unlock** the button, **hold** the buttons +/- **simultaneously**. When Loc is displayed, the buttons are unlocked.
- To **disable** the lock, enter the Loc function again and select the no option. Confirm by pressing the Menu button.
- 4. DEF** - this function allows the user to restore factory settings. After selecting the Def function, press the Menu button. Then a question is displayed whether to restore the factory settings (yes / no). Select by pressing one of the buttons +/- . Confirm by pressing the Menu button. After restoring factory settings, it will be necessary to re-register the regulator in the external controller.
- 5. RET** - exit the menu. Once in the Ret function, press the Menu button to exit the menu.